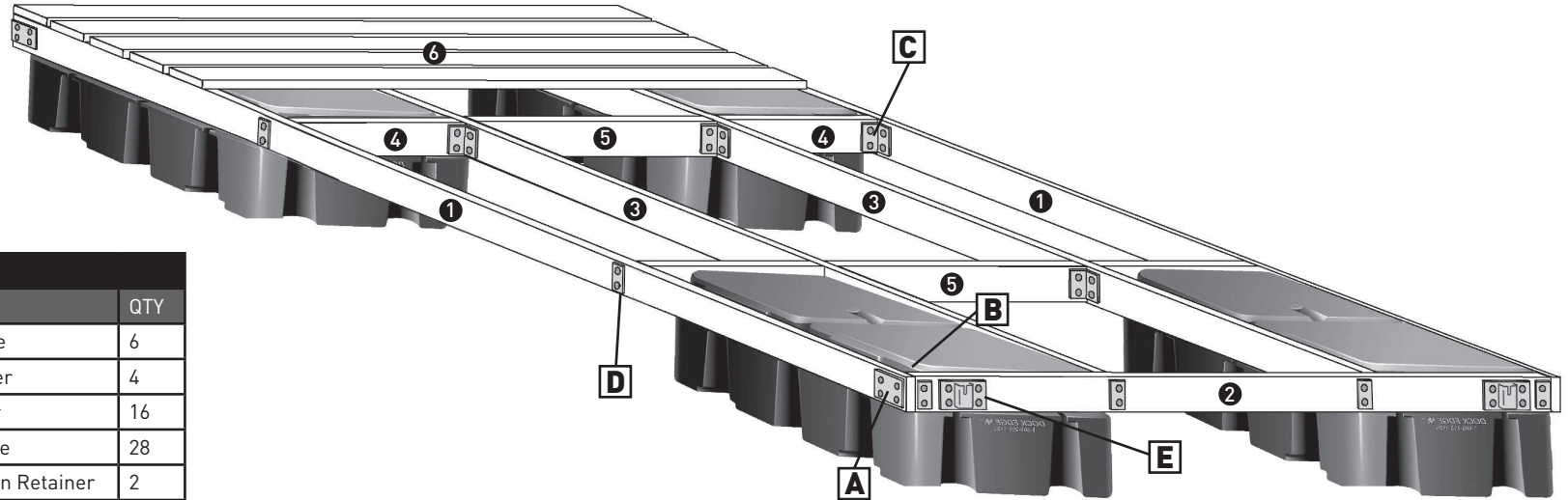


6' x 12' Floating, Main Dock Construction Guide and Bill Of Materials



DOCK HARDWARE INCLUDED			
REF	Part#	Description	QTY
A	DE93122F	Backer Plate	6
B	DE92104F	Inside Corner	4
C	DE99002F	Joist Corner	16
D	DE99006F	Washer Plate	28
E	DE99013F	Anchor Chain Retainer	2
Additional Hardware required for modular attachment to an additional DOCK-2Go Section.			
Available as DE85205F	DE99011F	Female "T" Connector	2
	DE99012F	Male "T" Connector	2
	DE96111F	Connector Pin	2
	DE93122F	Backer Plate	4

ADDITIONAL HARDWARE REQUIRED	
Description	QTY
1/2" x 2-1/2" Carriage Bolts and nuts & lock washers	92
3/8" x 2" Lag Bolts & Washers	40
Chain (zinc coated) length to suit anchorage method and depth	

ANCHORAGE: DockEdge+ recommends that the dock be anchored to shore. The furthest extension of the dock should be anchored to appropriate dock anchors at the end of the dock using chain of sufficient size and the chain retainers DE99013F in this dock kit.

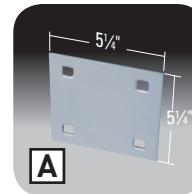
NOTE: If attaching modular sections, anchorage should be maintained at the outer-most end of the dock assembly and additional placement of anchorage at each modular attachment point.

LUMBER REQUIRED		
REF	Description	QTY
1	2" x 6" x 144" Outside Stringers	2
2	2" x 6" x 69" Ends Stringers	2
3	2" x 6" x 141" Short Cross Stringers	2
4	2" x 6" x 21" Inside Blocker	4
5	2" x 6" x 24" Inside Blocker	2
6	2" x 6" x 6' Deck Boards	24

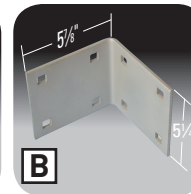
FLOATATION REQUIRED

HOWELL™ 550
550lb. / 250 Kg Capacity
QTY: 4

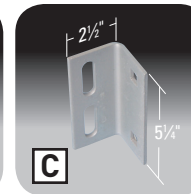
Note: The Howell 550 has recessed flange areas.



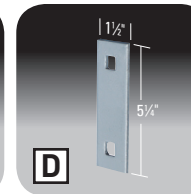
DE93122F Backer Plate.
Used to sandwich wood framing when another piece of hardware isn't used. Prevents bolt loosening or pull-thru.



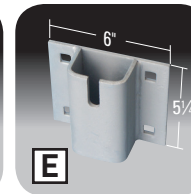
DE92104F Inside Corner.
For lighter duty applications where an outside corner is not necessary.



DE99002F Joist Corner.
Use to mount stringers with DE99006F washer plates. Also use as a backer plate to prevent cleats from pulling out.



DE99006F Washer Plate.



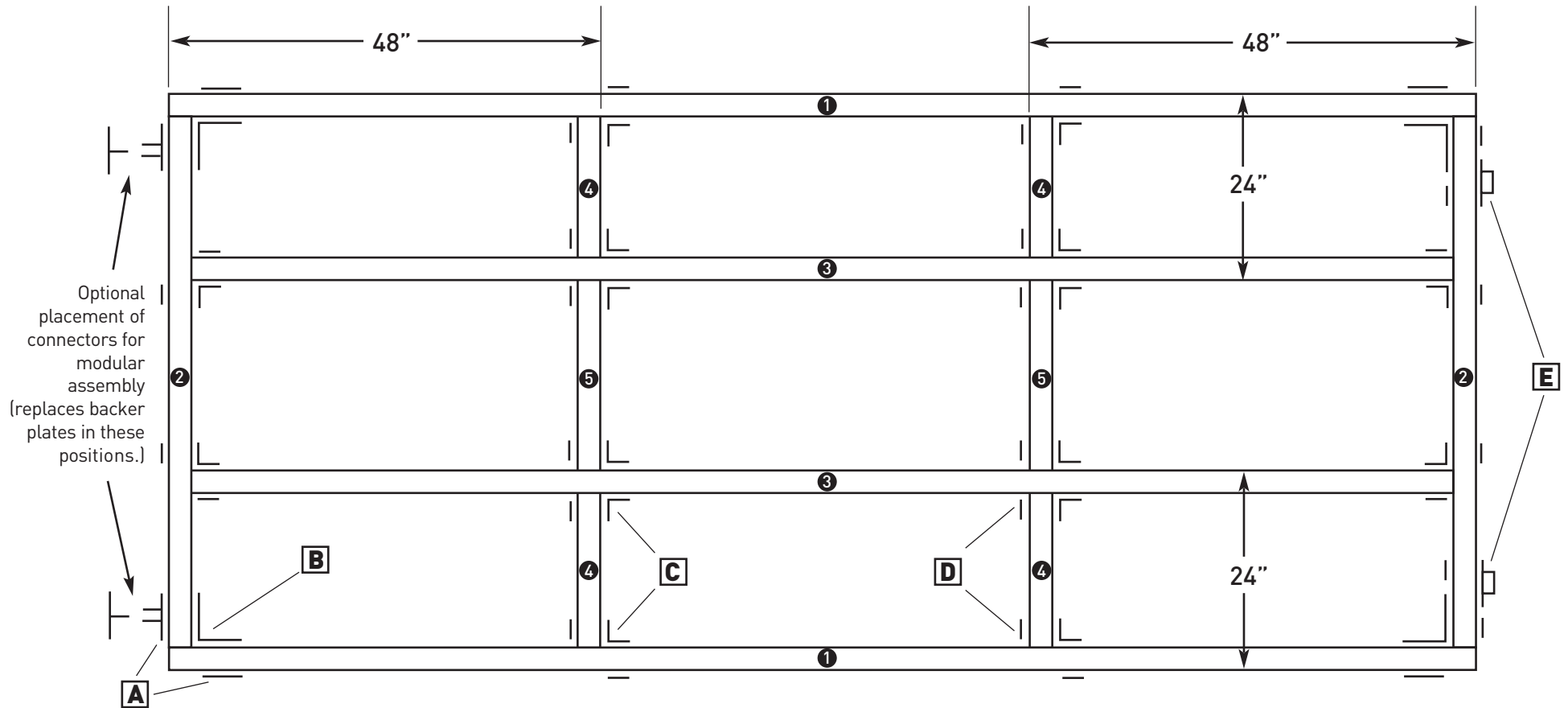
DE99013F Chain Retainer.
Holds chain up to 1/2" to secure the dock in position.

IMPORTANT: CMP Group Ltd. assumes no responsibility or liability for the accuracy or representation of the graphic illustrations shown in this hardware guide. These graphic illustrations are not intended to be architectural drawings, and are not to be substituted for engineered drawings. Each is intended as a guideline ONLY. CMP Group Ltd. does not warrant the quantities and/ or bill of materials to be accurate in all uses and applications. Individual dock structures may vary by necessity, preference or design. It may be necessary to vary the amount of materials listed in this guide depending on dock size, material usage, necessity and/ or the severity of the conditions to which the dock structure is subjected to.

All graphic illustrations are based on the use of conventional framework of 2" x 6" lumber and decking lumber. Freeboard may be adjusted by using 2" x 8" or 2" x 10" lumber. Substitutions in lumber and hardware placement may effect floatation.

v3.0

Typical Joint Configuration



DOCK HARDWARE INCLUDED

REF	Part#	Description	QTY
A	DE93122F	Backer Plate	6
B	DE92104F	Inside Corner	4
C	DE99002F	Joist Corner	16
D	DE99006F	Washer Plate	28
E	DE99013F	Anchor Chain Retainer	2
Additional Hardware required for modular attachment to an additional DOCK-2Go Section			
Available as DE85205F	DE99011F	Female "T" Connector	2
	DE99012F	Male "T" Connector	2
	DE96111F	Connector Pin	2
	DE93122F	Backer Plate	4

LUMBER REQUIRED

REF	Description	QTY
1	2" x 6" x 144" Outside Stringers	2
2	2" x 6" x 69" Ends Stringers	2
3	2" x 6" x 141" Short Cross Stringers	2
4	2" x 6" x 21" Inside Blocker	4
5	2" x 6" x 24" Inside Blocker	2
6	2" x 6" x 6' Deck Boards	24

TOOLS REQUIRED

Hammer
Drill
5/8" Drill Bit
Socket and Wrench Set

Made and Printed in Canada.