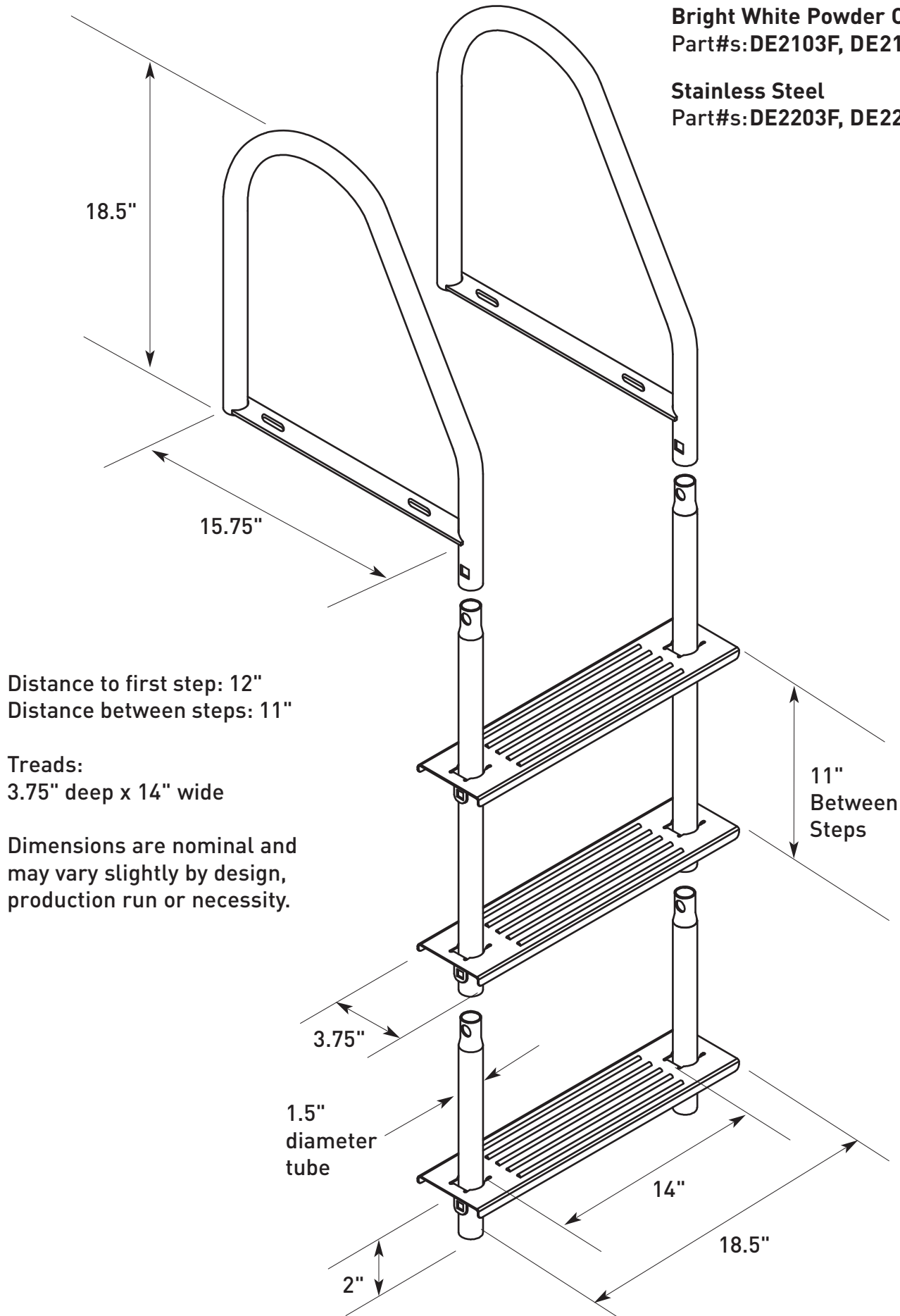


Dimensions for:

FIXED Ladders  
Bright White Powder Coated  
Part#s: DE2103F, DE2104F & DE2105F

Stainless Steel  
Part#s: DE2203F, DE2204F & DE2205F



Distance to first step: 12"  
Distance between steps: 11"

Treads:  
3.75" deep x 14" wide

Dimensions are nominal and may vary slightly by design, production run or necessity.

11"  
Between  
Steps

1.5"  
diameter  
tube

18.5"