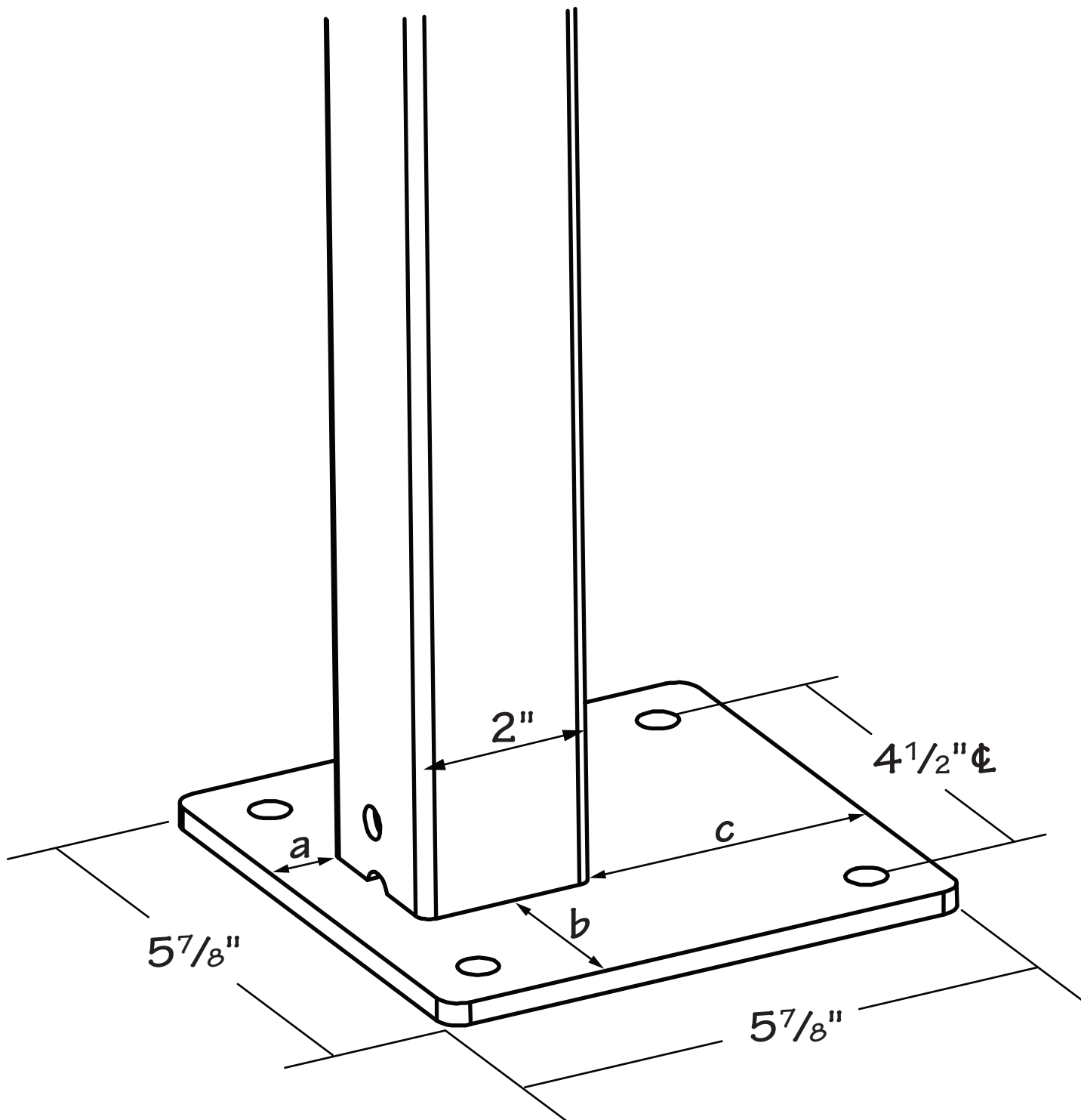


DOCK EDGE 4^E®

Wake Watcher Base



$$a = \frac{13}{16}"$$

$$b = 1\frac{15}{16}"$$

$$c = \frac{31}{16}"$$